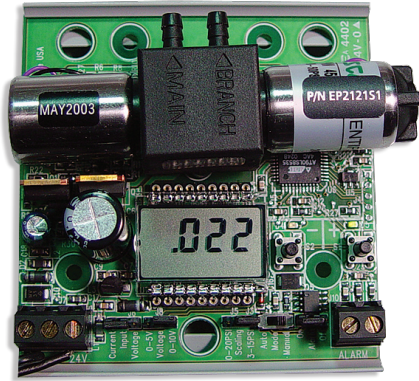


KELE UCP-722 AND UCP-722-PL

Electropneumatic Transducer



Installer's Specifications

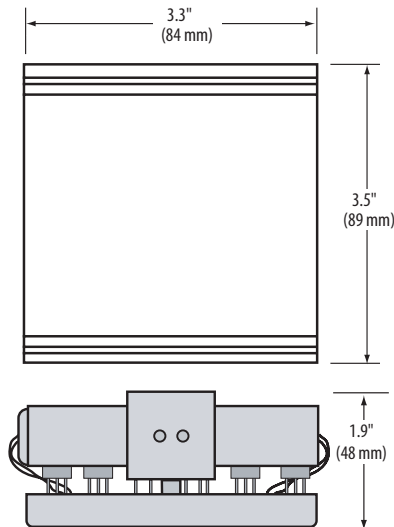
Power Supply	22-30VDC, 20-30VAC, 47-63 Hz., 150mA max.
Control Input	4-20mA, 0-10V, 0-5V; jumper selectable
Input Impedance	4-20mA, 250ohm; 0-5/0-10V, 10k ohm
Manual Override	Jumper selectable mode, digital pushbutton adjust
Alarm Contact	100mA@30VAC/DC (If equipped)
Accuracy	1% F.S.; combined linearity, hysteresis, repeatability
Compensated Temp. Range	25° to 140°F (-4°C to 60°C)
Temp Coefficient	±0.05%/°C
Operating Environment	10-90% RH, non-condensing -4°C-60°C
SCIM	523 in3/min.@45 psi; 8520 cm3/min@310.3 KPA; 333 in3/min@20 psi; 5407 cm3/min@137.9 KPA
Supply Pressure	45psig max.
Control Range	0-20psig or 3-15psig jumper selectable
Pressure Differential	0.1psig (supply to branch)
Pressure Indication	Electronic, 3-1/2 digit LCD
Minimum Tubing Length	15-feet
Port Connection	1/8" id poly tubing
Media Connection	Clean dry air or inert gas. Not for use with oxygen service

NOTICE

- This product is not intended for life or safety applications.
- Do not install this product in hazardous or classified locations.
- Read and understand the instructions before installing this product.
- Turn off all power supplying equipment before working on it.
- The installer is responsible for conformance to all applicable codes.

EMC Conformance: EN 61000-6-3:2001 Class B, EN 55022 Class B, EN 61000-6-1:2001
 EMC Test Methods: CISPR 22:2005, EN 55022, IEC 61000-4-2:2001, IEC 61000-4-3:1998, IEC 61000-4-4:1995, IEC 61000-4-5:1995, IEC 61000-4-6:1997, IEC 61000-4-8:2001
 EMC Special Note: Connect this product to a DC distribution network or an AC/DC power adaptor with proper surge protection (EN 61000-6-1:2001 specification requirements)

DIMENSIONS



QUICK INSTALL

CAUTION: Use electrostatic discharge precautions (e.g., use of wrist strips) during installation and wiring to prevent equipment damage.

1. Mount transducer using screws provided. Take care to avoid damaging electronic components. Location of mounting holes is shown in dimensional drawing.
2. Wire transducer as shown in wiring diagram on following page.
3. Configure jumpers for desired operation as shown on following page.
4. Attach pressure tubing to hose barbs. Observe MAIN and BRANCH port labels. Use flexible 1/4" O.D. poly tubing for main and branch pneumatic connections. *Main supply pressure must not exceed 45 psig.*

WIRING & CONFIGURATION

JUMPER CONFIGURATION:

INPUT: Select CURRENT (4-20mA) or VOLTAGE (0-5/10V)

VOLTAGE: For voltage mode of operation, select 0-5V or 0-10V.

SCALING: Select 0-20psi or 3-15psi scaling.

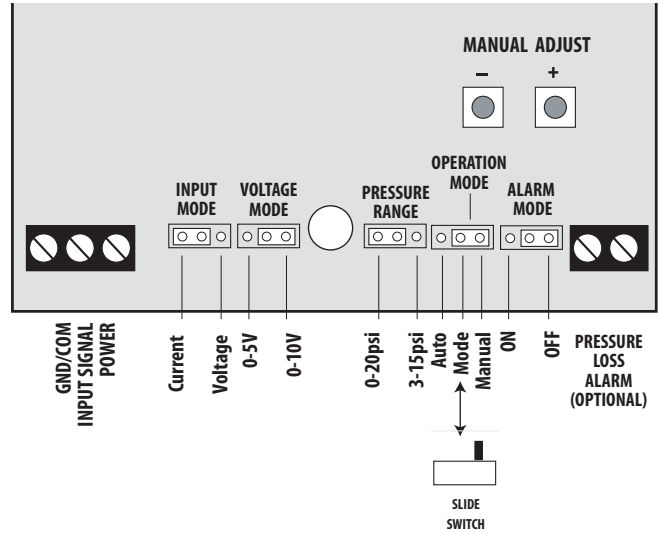
MODE: Select AUTO for normal operation, or MANUAL to adjust pressure using pushbuttons.

OPTION:

Alarm Mode Relay: The alarm contacts will open if the unit cannot obtain 80% of commanded pressure within two (2) minutes.

- GND/Common:** Power supply ground and signal common.
- INPUT SIGNAL:** 4-20mA, 0-10VDC, or 0-5VDC input from control system.
- POWER:** 22-30VDC, 20-30VAC. From control system or external power supply™ or transformer.

NOTE: In 24VAC transformer applications, one side of transformer secondary is connected to signal common. Some control systems may require a dedicated power supply transformer or isolation transformer.



- PRESSURE LOSS ALARM:** Normally closed, solid-state contacts open if main supply pressure fails, or transducer is otherwise unable to produce correct branch pressure. Connect to digital input of control system for alarm status indication. If commanded pressure is not within 80% inside a two (2) minute window Alarm contacts will open.
- 0-20 psi alarm contact will not change state when commanded pressure is four (4) psi or less
 - 3-15 psi alarm contact will not change state when commanded pressure is (5.4) psi or less

